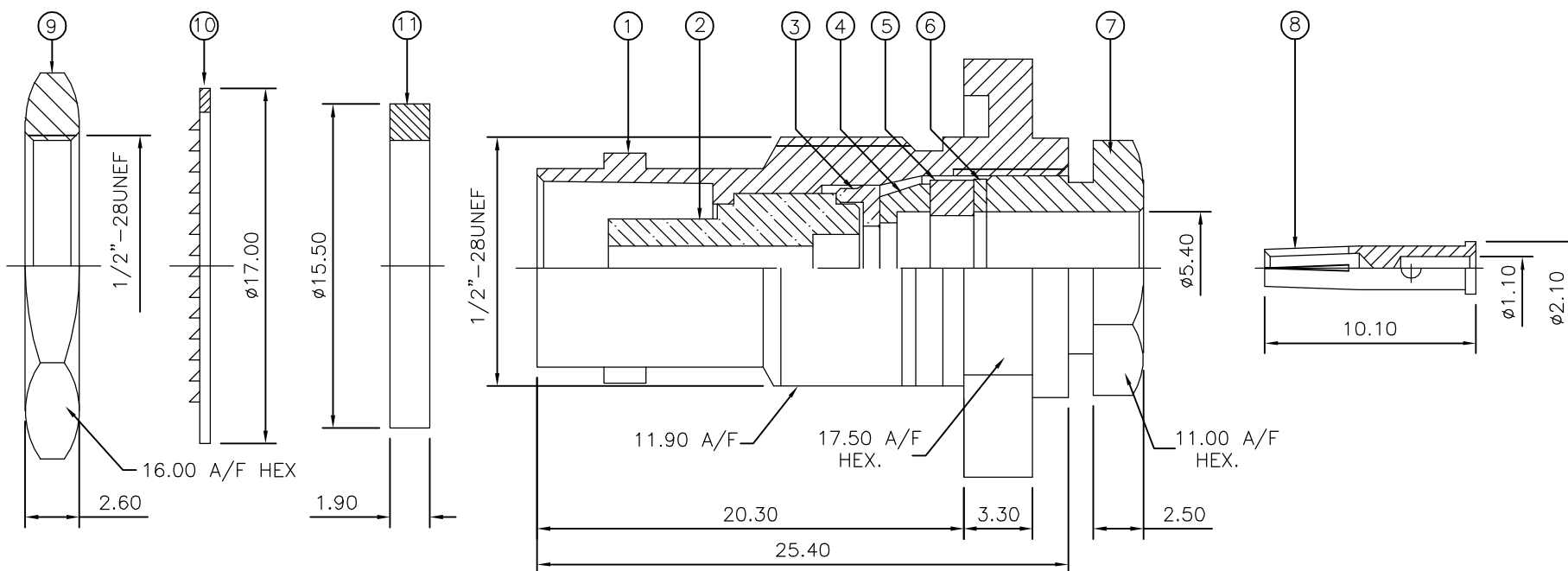


LOC	DIST	REVISIONS					
E	B	P	LTR	DESCRIPTION	DATE	DWN	APVD
		B		ECR-06-015596	17JUL06	JMS	FWK

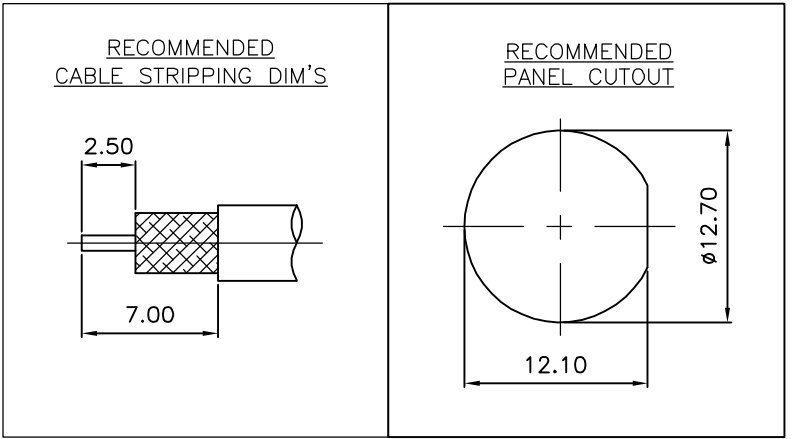
NOTES:

- 1 PACK IN ACCORDANCE WITH AMP SPEC 107-3275
- 2 100 TRAY PACK IN ACCORDANCE WITH AMP SPEC 107-3275
- 3 Ag PLATING
- 4 THIS ITEM MUST BE WHITE
- 5 ELECTRICAL CHARACTERISTICS
 FREQUENCY RANGE: DC - 4 GHz
 NOMINAL IMPEDANCE: 50 Ohm
 INSULATION RESISTANCE: 5000 MOhm
 WORKING VOLTAGE: 500 Volts RMS at Sea Level
 DIELECTRIC WITHSTAND VOLTAGE: 1500 Volts RMS Max
 CONTACT RESISTANCE:
 CENTRE CONTACT: 1.50 mOhm Max
 OUTER CONTACT: 0.20 mOhm Max
 VSWR @ 4GHz: 1.30:1 Max
 INSERTION LOSS dB @ x 3 GHz: 0.20 Max
- 6 MECHANICAL CHARACTERISTICS
 COUPLING NUT RETENTION FORCE: N/A
 CABLE RETENTION FORCE: 170N Min
 CLAMP NUT RECOMMENDED TORQUE: 4N
 MOUNT NUT RECOMMENDED TORQUE: 4N
 DURABILITY: 500 Cycles Min
- 7 ENVIRONMENTAL CHARACTERISTICS
 OPERATING TEMPERATURE: -65 to +165 DegC
- 8 FOR TECHNICAL DATA REFER TO YOUR LOCAL TYCO ELECTRONICS SALES OFFICE
- 9 ALL DIMENSIONS ARE NOMINAL FOR REFERENCE ONLY UNLESS OTHERWISE STATED



QTY	QTY	MATERIAL	DESCRIPTION	ITEM
1	1	SILICON RUBBER	GASKET	11
1	1	STEEL	LOCKWASHER	10
1	1	BRASS	HEX. NUT	9
1	1	BRASS	CONTACT	8
1	1	BRASS	CLAMP NUT	7
1	1	BRASS	WASHER	6
1	1	SILICON RUBBER	GASKET	5
1	1	BRASS	SLEEVE	4
1	1	BRASS	WASHER	3
1	1	PTFE	INSULATION	2
1	1	BRASS	BODY	1
6--0	1--0	MATERIAL	DESCRIPTION	ITEM

QUANTITY PER ASSY		PARTS LIST	
<p>THIS DRAWING IS A CONTROLLED DOCUMENT.</p> <p>DWN J.SANDWELL 17JUL06 CHK S.PARLOW 17JUL06 APVD F.WHEELER-KING 17JUL06</p> <p>PRODUCT SPEC APPLICATION SPEC 411-3252 WEIGHT -</p> <p>CUSTOMER DRAWING</p>			
<p>tyco Electronics</p> <p>Tyco Electronics Corporation Bideford EX39 4HE</p>		<p>NAME BNC STRAIGHT BULKHEAD JACK MIL-CLAMP 50 OHM RG58C/U, 141A/U, URM43, 76, KX15</p>	
SIZE	CAGE CODE	DRAWING NO	RESTRICTED TO
A3	00779	C-1478148	-
SCALE NTS		SHEET 1 OF 1	REV B



DIMENSIONS:	TOLERANCES UNLESS OTHERWISE SPECIFIED:
mm	0 PLC ± -
	1 PLC ± -
	2 PLC ± -
	3 PLC ± -
	4 PLC ± -
	ANGLES ± -
MATERIAL	FINISH
SEE TABLE	-